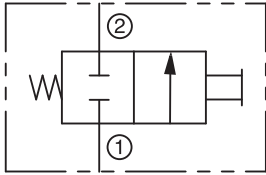


IN-LINE



DESCRIPTION

The Pneu-Trol plunger operated two-way valve controls hydraulic or pneumatic flow. This valve is normally closed and allows through flow when the plunger is manually depressed. The spring returned plunger blocks flow in the opposite direction.

- **Soft Seat for positive shut-off**
- **Panel or bracket mountable**



SPECIFICATIONS

Maximum Operating Pressure (Non-Shock Service)

Carbon Steel: 3,000 psi (207 bar)

Operating Temperature Range

-15° to +400° F (-26° to +204° C)

Flow Rating

Co-Efficient (Cv Factor) = 2.6

Plunger Effort

97 lbs. (431 N) per 1,000 psi (69 bar)

Threads

NPTF 1/2"

Stroke

1/2" (12.7)

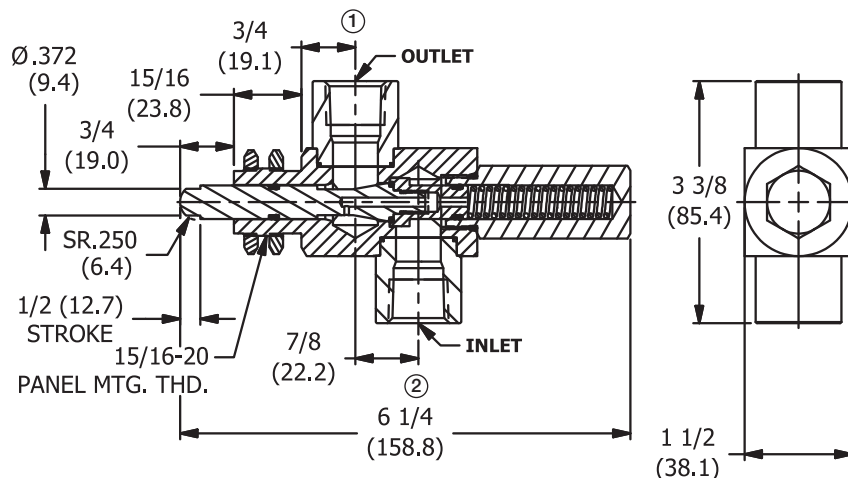
Panel Mounting Hole Size

31/32" (24.6)

Materials

- Body, Plug: Steel
- Spring: Music Wire
- Plunger: Stainless Steel 416 with Urethane O-Ring
- O-Rings: Viton
- Back-Up Washer: Teflon
- Panel Mount Nuts: Nickel Plated Brass

INSTALLATION DIMENSIONS



() Parentheses = Millimeters

HOW TO ORDER

| Size | NPTF Thread | Co-Efficient (Cv Factor) |
|------|-------------|--------------------------|
| 1/2" | POV32S | 2.6 |