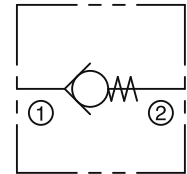


## DESCRIPTION

Check valves operate on slight differential pressure. Free flow is permitted in the direction of the arrow, positive check in the opposite direction.



- **Elastomer-free (No O-ring) Leak-Tight Ball Check standard for various medias**
- **Bubble-Tight Ball Check with O-ring/Quad ring optional**
- **Compact over-all length**

## SPECIFICATIONS

### Maximum Operating Pressure

Brass: 2,000 psi (138 bar)  
Carbon Steel: 3,000 psi (207 bar)  
Stainless Steel: 3,000 psi (207 bar)

### Cracking Pressure

1 to 2.5 psi (.07 to .17 bar)  
Other cracking pressures available.  
Consult factory.  
Soft seat check valves if left seated for a period of time, will have the rubber adhere to the metal it is in contact with. This results in an initial high crack point due to sticking. The degree depends on many things (time seated, pressure, etc.).

### Operating Temperature Range

-30° to +200° F (-34° to +93° C)

### Threads

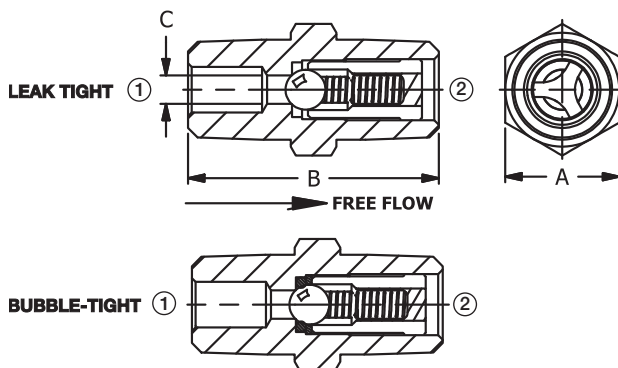
NPTF

### Materials

Body: Brass, Steel, Stainless Steel 303  
Ball: Stainless Steel 440  
Spring: Stainless Steel 302  
Ball Guide: Delrin®  
Washer: Stainless Steel 304  
O-Ring/Quad Ring: Buna-N



## INSTALLATION DIMENSIONS



Pipe Size	A HEX	B	C orifice	gpm (lpm)	Cv Factor
1/8"	7/16 (11.1)	31/32 (24.6)	.125 (3.2)	1.0 (3.8)	.17
1/4"	5/8 (15.9)	1-3/8 (34.9)	.188 (4.8)	2.5 (9.5)	.56
3/8"	3/4 (19.1)	1-5/8 (41.3)	.250 (6.4)	6.0 (22.7)	1.31
1/2"	7/8 (22.2)	2-1/16 (52.4)	.328 (8.3)	10.0 (37.9)	2.71
3/4"	1-1/8 (28.6)	2-1/4 (57.2)	.359 (9.1)	15.0 (56.8)	3.40

( ) Parentheses = Millimeters

## HOW TO ORDER

Leak-Tight			
Size	NPTF Thread		
	Brass	Steel	Stainless Steel
1/8"	CMM10B1	—	—
1/4"	CMM20B	CMM20S	CMM20SS2
3/8"	CMM25B	CMM25S	—
1/2"	CMM30B	CMM30S	—

Bubble-Tight (O = O-ring, Q = Quad ring)			
Size	NPTF Thread		
	Brass	Steel	Stainless Steel
1/8"	CMMO10B1	—	—
1/4"	CMMQ20B	CMMQ20S	CMMO20SS2
3/8"	CMMO25B	CMMO25S	CMMO25SS
1/2"	CMMQ30B	CMMQ30S	—
3/4"	CMMQ35B	—	—