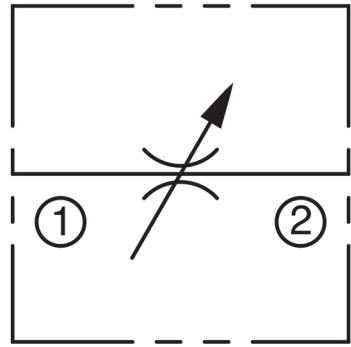


NMF Needle Valve
Male-to-Female

IN-LINE



DESCRIPTION

A variable flow restrictor with positive shut-off. A wide range of flow adjustment is possible because of the fine thread and tapered needle. Unwanted changes in adjustment are prevented by a locknut. A knurled knob is standard.

- Eliminates need for extra pipe nipple
- Wide range of flow adjustability
- Lock Nut to maintain flow setting
- Positive shut-off

SPECIFICATIONS

Maximum Operating Pressure (Non-Shock Service)

Brass: 2,000 psi (138 bar)
Carbon Steel: 5,000 psi (345 bar)

Operating Temperature Range

-15° to +400° F (-26° to +204° C)

Threads

NPTF

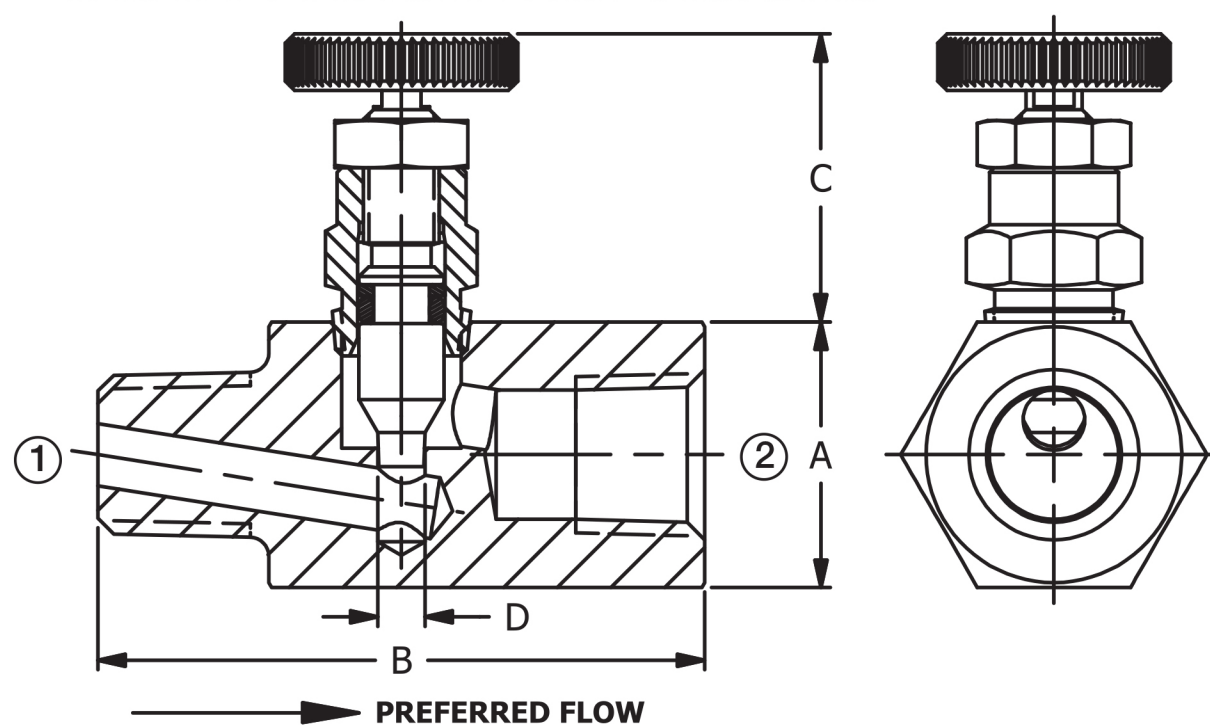
Materials

Body, Housing: Brass, Steel
Needle: Brass, Stainless Steel 416
O-Ring: Viton
Back-Up Washer: Teflon
Lock Nut: Brass, Steel
Knob: Aluminum

FLOW RATING

Size	Max Recommended Flow gpm (lpm)	Co-Efficient (Cv Factor) Fully Open
1/8"	3.2 (12.1)	.20
1/4"	7.0 (26.5)	.43
3/8"	13.5 (51.1)	.78

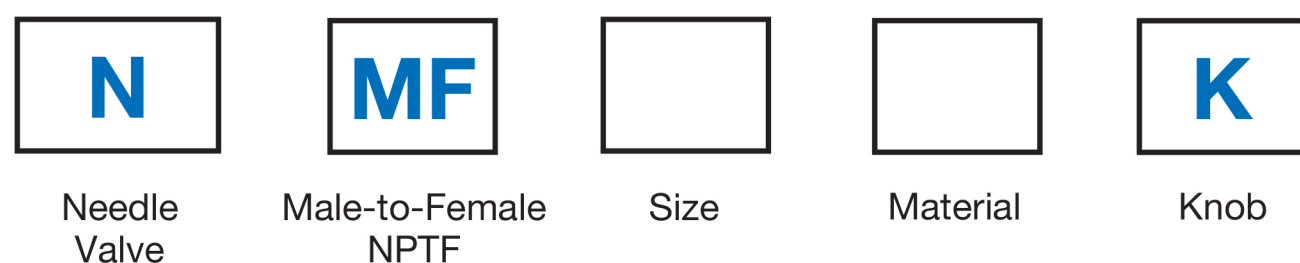
INSTALLATION DIMENSIONS



Pipe Size	A HEX	B	C Open	D Orifice
1/8"	11/16 (17.5)	1-15/32 (37.3)	7/8 (22.2)	.107 (2.7)
1/4"	7/8 (22.2)	2 (50.8)	1 (25.4)	.156 (4.0)
3/8"	1-1/16 (27.0)	2-1/4 (57.2)	1-3/16 (30.2)	.219 (5.6)

() Parentheses = Millimeters

HOW TO ORDER



Code	Size
10	1/8"
20	1/4"
25	3/8"

Code	Material
B	Brass
S	Carbon Steel

Code	Knob
K	Knob

AVAILABLE MODEL CODES

Size	NPTF Thread	
	Brass	Carbon Steel
1/8"	NMF10BK	-
1/4"	NMF20BK	NMF20SK
3/8"	-	NMF25SK