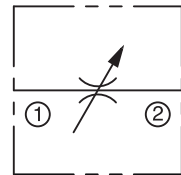


### DESCRIPTION

#### A Variable Flow Restrictor with Positive Shut-Off

This special purpose valve is primarily used as a gauge shut-off valve. It may also be used for any application where low flow is required.

- 1/4" NPTF threads mount directly in gauge line
- Reduced flow to that of an 1/8" Needle Valve
- Aesthetically pleasing gold knob
- Lock Nut to maintain flow setting



### SPECIFICATIONS

#### Maximum Operating Pressure (Non-Shock Service)

Carbon Steel: 5,000 psi (345 bar)

#### Flow Rating

Maximum Recommended Flow: 3.2 gpm (12.1 lpm)

#### Operating Temperature Range

-15° to +400° F (-26° to +204° C)

#### Threads

NPTF 1/4"

#### Materials

Body, Housing: Steel

Needle: Stainless Steel 416

O-Ring: Viton

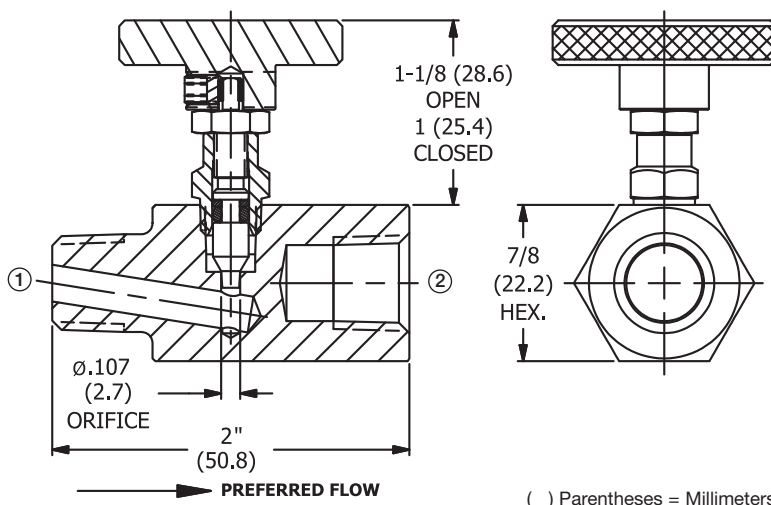
Back-Up Washer: Teflon

Lock Nut: Steel

Knob: Gold Anodized Aluminum

Set Screw: Steel

### INSTALLATION DIMENSIONS



### HOW TO ORDER



Code	Size
<b>20</b>	1/4"

Code	Flow
<b>10</b>	1/8" Needle Valve

Code	Material
<b>S</b>	Carbon Steel