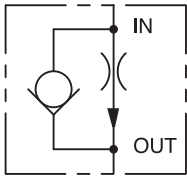


# PCM88

## Fixed, Free Reverse, Externally Ported Pressure Compensated Flow Regulator Valve

### IN-LINE



### DESCRIPTION

A fixed cartridge valve designed to regulate flow regardless of load pressure. This valve is a restrictive-type flow regulator designed for a wide variety of flow applications.

The male outlet port allows for quick installation into existing manifolds for meter-in control with free flow in the opposite direction.

The PCM 88 maintains a constant flow within specified accuracies from inlet to outlet regardless of downstream load pressure. When flow produces a minimum predetermined pressure differential across the compensator spool control orifice, the spool shifts against the spring force to throttle the flow and maintain the flow setting. In the reverse direction the spool shifts to permit free flow.

- Pressure-compensated
- Quiet response
- Free reverse flow
- Industry common cavity
- Compact size

### SPECIFICATIONS

#### Maximum Operating Pressure (Non-Shock Service)

Carbon Steel: 3,000 psi (207 bar)

#### Minimum Operating Pressure

75 Δpsi (5.2 Δbar)

#### Flow Range

1.0 to 10.0 gpm (3.8 to 37.9 lpm)

(See ordering table)

#### Flow Tolerances

Flows up to and including 1.5 gpm (5.7 lpm) ±15%

Flows over 1.5 gpm (5.7 lpm) ±10%

#### Operating Temperature Range

-30° to +250° F (-34° to +120° C)

#### Recommended Filtration

ISO 17/15/13

#### Fluids

Mineral-based fluids. For other fluid compatibility, consult factory.

#### Cavity

#8 SAE, see page 2.40.2

Also works in 080-2 Cartridge Valve Cavity

#### Materials

Housing: Steel

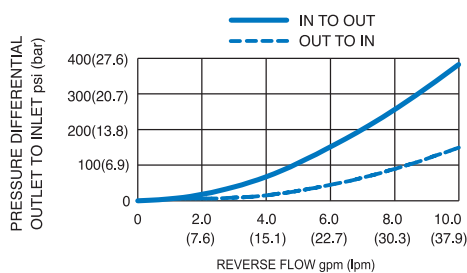
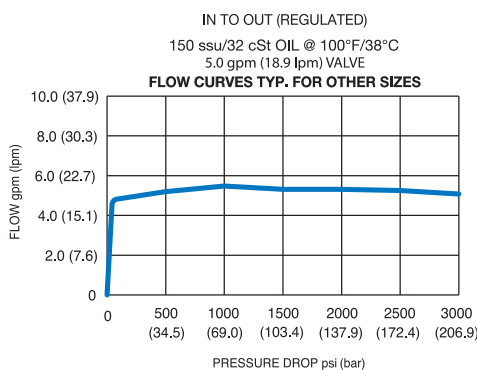
O-Ring: Buna-N

Spring: Music Wire

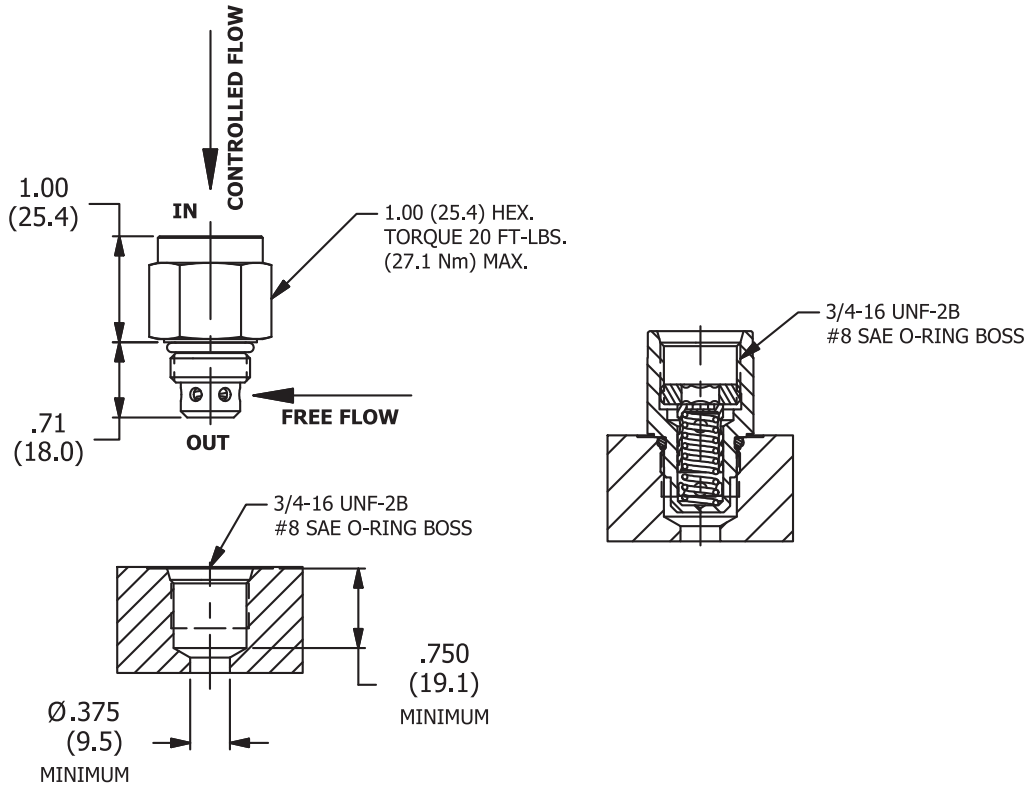
Spool: Steel

Lock Screw: Steel

### PRESSURE DROP VS. FLOW

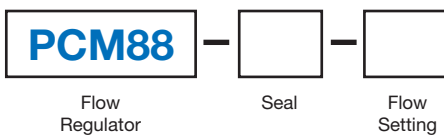


**INSTALLATION DIMENSIONS**



( ) Parentheses = Millimeters

**HOW TO ORDER**



Code	Seal	Code	Flow Setting
N	Buna N	100	1.00 gpm (3.8 lpm)
		200	2.00 gpm (7.6 lpm)
		300	3.00 gpm (11.4 lpm)
		400	4.00 gpm (15.1 lpm)
		500	5.00 gpm (18.9 lpm)
		600	6.00 gpm (22.7 lpm)
		700	7.00 gpm (26.5 lpm)
		800	8.00 gpm (30.3 lpm)
		900	9.00 gpm (34.1 lpm)
		1000	10.00 gpm (37.9 lpm)

Other flow settings available. Consult factory.

